

# EcoBlocks

for sailing

made by

**M**ETALMOR 

Products for Classic Sailing

[www.metalmor.com](http://www.metalmor.com)



**Durability  
and quality without  
maintenance!**

# EcoBlocks

for sailing

**EcoBlocks** are maintenance-free blocks made of a mixture of bamboo saw-dust and a resin of recycled high quality plastics. This very durable composite resembles wood in appearance and smell but has different properties. It does not absorb water, which makes it very resistant to adverse weather conditions. Does not require maintenance or impregnation, there is no need to renew it.

Fittings in **EcoBlocks** are made of strong stainless steel (AISI316), its surfaces are polished mechanically. The sheaves have slide-bearings and are made of black Ertacetal. The strong stainless steel axle bolt is secured against twist and loss.

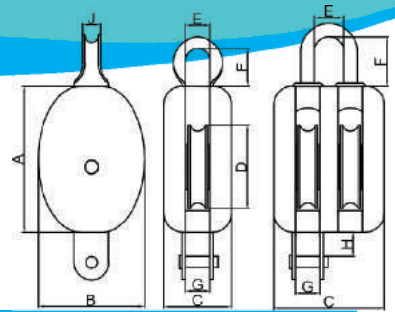
## The advantages of the **EcoBlocks**:



- ✓ fully ecological, subject to 100% re-use,
- ✓ highly durable & resistant to external damage,
- ✓ no water absorption,
- ✓ no need for oil or varnish protection,
- ✓ sheaves with slide bearings,
- ✓ fittings are made of strong stainless steel (AISI316).

# EcoBlocks

Type:



## EcoBlocks single sheaves



|         | ECO Block<br>14P1 | ECO Block<br>18P1 | Eco Block<br>22P1 |
|---------|-------------------|-------------------|-------------------|
| Rope mm | 12-14 mm          | 16-18 mm          | 20-22 mm          |
| A       | 130               | 154               | 190               |
| B       | 95                | 118               | 138               |
| C       | 62                | 72                | 78                |
| D       | 75                | 90                | 110               |
| E       | 20                | 25                | 28                |
| F       | 36                | 37                | 51                |
| G       | 22                | 25                | 30                |
| J       | 16                | 21                | 25                |
| kg      | 0,9               | 1,5               | 2,3               |



## EcoBlocks double sheaves



|         | ECO Block<br>14P2 | ECO Block<br>18P2 | ECO Block<br>22P2 |
|---------|-------------------|-------------------|-------------------|
| Rope mm | 12-14 mm          | 16-18 mm          | 20-22 mm          |
| A       | 130               | 154               | 190               |
| B       | 95                | 118               | 138               |
| C       | 100               | 110               | 124               |
| D       | 75                | 90                | 110               |
| E       | 26                | 26                | 28                |
| F       | 44                | 48                | 60                |
| G       | 22                | 25                | 30                |
| J       | 12                | 14                | 16                |
| kg      | 1,6               | 2,5               | 3,8               |



## EcoBlocks tripple sheaves

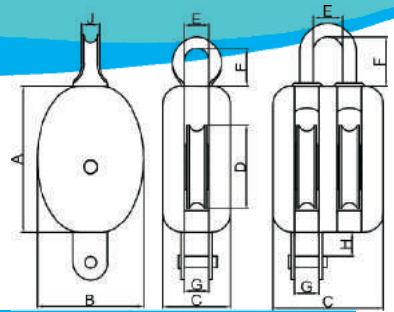


|         | ECO Block<br>14P3 | ECO Block<br>18P3 | Eco Block<br>22P3 |
|---------|-------------------|-------------------|-------------------|
| Rope mm | 12-14 mm          | 16-18 mm          | 20-22 mm          |
| A       | 130               | 154               | 190               |
| B       | 95                | 118               | 138               |
| C       | 138               | 116               | 170               |
| D       | 75                | 90                | 110               |
| E       | 62                | 26                | 70                |
| F       | 48                | 48                | 60                |
| G       | 22                | 25                | 30                |
| J       | 14                | 14                | 18                |
| kg      | 2,1               | 2,5               | 5                 |



# EcoBlocks

Type:



## EcoBlocks single sheaves with becket



|         | ECO Block<br>14P1+ | ECO Block<br>18P1+ | Eco Block<br>22P1+ |
|---------|--------------------|--------------------|--------------------|
| Rope mm | 12-14 mm           | 16-18 mm           | 20-22 mm           |
| A       | 130                | 154                | 190                |
| B       | 95                 | 118                | 138                |
| C       | 62                 | 72                 | 78                 |
| D       | 75                 | 90                 | 110                |
| E       | 20                 | 25                 | 28                 |
| F       | 36                 | 37                 | 51                 |
| G       | 22                 | 25                 | 30                 |
| H       | 22                 | 28                 | 39                 |
| J       | 16                 | 21                 | 25                 |
| kg      | 1                  | 1,65               | 2,5                |



## EcoBlocks double sheaves with becket



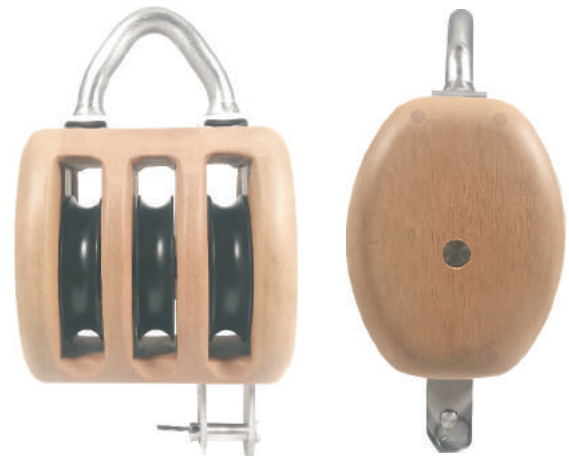
|         | ECO Block<br>14P2+ | ECO Block<br>18P2+ | Eco Block<br>22P2+ |
|---------|--------------------|--------------------|--------------------|
| Rope mm | 12-14 mm           | 16-18 mm           | 20-22 mm           |
| A       | 130                | 154                | 190                |
| B       | 95                 | 118                | 138                |
| C       | 100                | 110                | 124                |
| D       | 75                 | 90                 | 110                |
| E       | 26                 | 26                 | 28                 |
| F       | 44                 | 48                 | 60                 |
| G       | 22                 | 25                 | 30                 |
| H       | 22                 | 28                 | 39                 |
| J       | 12                 | 14                 | 16                 |
| kg      | 1,7                | 2,65               | 4                  |



## EcoBlocks tripple sheaves with becket

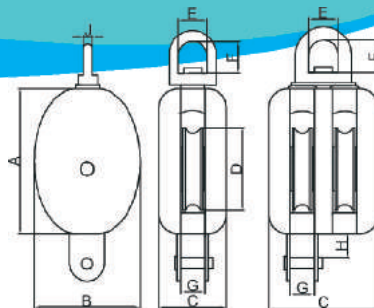


|         | ECO Block<br>14P3+ | ECO Block<br>18P3+ | Eco Block<br>22P3+ |
|---------|--------------------|--------------------|--------------------|
| Rope mm | 12-14 mm           | 16-18 mm           | 20-22 mm           |
| A       | 130                | 154                | 190                |
| B       | 95                 | 118                | 138                |
| C       | 138                | 116                | 170                |
| D       | 75                 | 90                 | 110                |
| E       | 62                 | 26                 | 70                 |
| F       | 48                 | 48                 | 60                 |
| G       | 22                 | 25                 | 30                 |
| H       | 22                 | 28                 | 39                 |
| J       | 14                 | 14                 | 18                 |
| kg      | 2,2                | 2,65               | 5,2                |



# EcoBlocks

Type:



## EcoBlocks single sheaves, swivel fitting



|         | ECO Block<br>14P1SW | ECO Block<br>18P1SW | Eco Block<br>22P1SW |
|---------|---------------------|---------------------|---------------------|
| Rope mm | 12-14 mm            | 16-18 mm            | 20-22 mm            |
| A       | 130                 | 154                 | 190                 |
| B       | 95                  | 118                 | 138                 |
| C       | 62                  | 75                  | 78                  |
| D       | 75                  | 90                  | 110                 |
| E       | 23                  | 37                  | 37                  |
| F       | 29                  | 31                  | 42                  |
| G       | 22                  | 25                  | 30                  |
| J       | 9                   | 13                  | 15                  |
| kg      | 1,2                 | 1,8                 | 2,7                 |



## EcoBlocks double sheaves, swivel fitting



|         | ECO Block<br>14P2SW | ECO Block<br>18P2SW | Eco Block<br>22P2SW |
|---------|---------------------|---------------------|---------------------|
| Rope mm | 12-14 mm            | 16-18 mm            | 20-22 mm            |
| A       | 130                 | 154                 | 190                 |
| B       | 95                  | 118                 | 138                 |
| C       | 100                 | 116                 | 124                 |
| D       | 75                  | 90                  | 110                 |
| E       | 23                  | 37                  | 37                  |
| F       | 29                  | 31                  | 42                  |
| G       | 22                  | 25                  | 30                  |
| J       | 9                   | 13                  | 15                  |
| kg      | 1,8                 | 2,8                 | 4,2                 |



## EcoBlocks tripple sheaves, swivel fitting

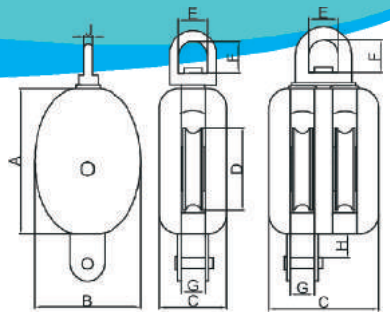


|         | ECO Block<br>14P3SW | ECO Block<br>18P3SW | Eco Block<br>22P3SW |
|---------|---------------------|---------------------|---------------------|
| Rope mm | 12-14 mm            | 16-18 mm            | 20-22 mm            |
| A       | 130                 | 154                 | 190                 |
| B       | 95                  | 118                 | 138                 |
| C       | 138                 | 157                 | 170                 |
| D       | 75                  | 90                  | 110                 |
| E       | 37                  | 37                  | 39                  |
| F       | 31                  | 42                  | 45                  |
| G       | 22                  | 25                  | 30                  |
| J       | 13                  | 15                  | 15                  |
| kg      | 2,4                 | 3,6                 | 5,5                 |



# EcoBlocks

Type:



**EcoBlocks** single sheaves, swivel fitting with becket



|         | ECO Block<br>14P1SW+ | ECO Block<br>18P1SW+ | Eco Block<br>22P1SW+ |
|---------|----------------------|----------------------|----------------------|
| Rope mm | 12-14 mm             | 16-18 mm             | 20-22 mm             |
| A       | 130                  | 154                  | 190                  |
| B       | 95                   | 118                  | 138                  |
| C       | 62                   | 75                   | 78                   |
| D       | 75                   | 90                   | 110                  |
| E       | 23                   | 37                   | 37                   |
| F       | 29                   | 31                   | 42                   |
| G       | 22                   | 25                   | 30                   |
| H       | 22                   | 28                   | 39                   |
| J       | 9                    | 13                   | 15                   |
| kg      | 1,3                  | 1,95                 | 2,9                  |



**EcoBlocks** double sheaves, swivel fitting with becket



|         | ECO Block<br>14P2SW+ | ECO Block<br>18P2SW+ | Eco Block<br>22P2SW+ |
|---------|----------------------|----------------------|----------------------|
| Rope mm | 12-14 mm             | 16-18 mm             | 20-22 mm             |
| A       | 130                  | 154                  | 190                  |
| B       | 95                   | 118                  | 138                  |
| C       | 100                  | 116                  | 124                  |
| D       | 75                   | 90                   | 110                  |
| E       | 23                   | 37                   | 37                   |
| F       | 29                   | 31                   | 42                   |
| G       | 22                   | 25                   | 30                   |
| H       | 22                   | 28                   | 39                   |
| J       | 9                    | 13                   | 15                   |
| kg      | 1,9                  | 2,95                 | 4,4                  |



**EcoBlocks** tripple sheaves, swivel fitting with swivel

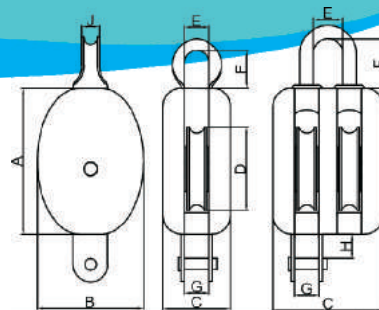


|         | ECO Block<br>14P3SW+ | ECO Block<br>18P3SW+ | Eco Block<br>22P3SW+ |
|---------|----------------------|----------------------|----------------------|
| Rope mm | 12-14 mm             | 16-18 mm             | 20-22 mm             |
| A       | 130                  | 154                  | 190                  |
| B       | 95                   | 118                  | 138                  |
| C       | 138                  | 157                  | 170                  |
| D       | 75                   | 90                   | 110                  |
| E       | 37                   | 37                   | 39                   |
| F       | 31                   | 42                   | 45                   |
| G       | 22                   | 25                   | 30                   |
| H       | 22                   | 28                   | 39                   |
| J       | 13                   | 15                   | 15                   |
| kg      | 2,5                  | 3,75                 | 5,7                  |



# EcoBlocks

Type:



## EcoBlocks fiddle



|         | ECO Block<br>14VP | ECO Block<br>18VP |
|---------|-------------------|-------------------|
| Rope mm | 12-14 mm          | 16-18 mm          |
| A       | 225               | 280               |
| B       | 110               | 125               |
| C       | 62                | 75                |
| D1      | 90                | 110               |
| D2      | 60                | 70                |
| E       | 20                | 25                |
| F       | 36                | 38                |
| G       | 22                | 25                |
| J       | 16                | 21                |
| kg      | 1,6               | 2,9               |



## EcoBlocks fiddle with becket



|         | ECO Block<br>14VP+ | ECO Block<br>18VP+ |
|---------|--------------------|--------------------|
| Rope mm | 12-14 mm           | 16-18 mm           |
| A       | 225                | 280                |
| B       | 110                | 125                |
| C       | 62                 | 75                 |
| D1      | 90                 | 110                |
| D2      | 60                 | 70                 |
| E       | 20                 | 25                 |
| F       | 36                 | 38                 |
| G       | 22                 | 25                 |
| H       | 22                 | 28                 |
| J       | 16                 | 21                 |
| kg      | 1,7                | 3,05               |



# EcoBlocks

for sailing

## Swivel fittings type:



Eye

Fork

## EcoBlocks in parts



**METALMOR**   
Products for Classic Sailing

 [www.metalmor.com](http://www.metalmor.com)

 [metalmor@metalmor.com](mailto:metalmor@metalmor.com)  
[metalmor@onet.pl](mailto:metalmor@onet.pl)

 [www.knagars.com](http://www.knagars.com) - online shop

 [@sailingwoodenblocks](https://www.facebook.com/sailingwoodenblocks)

 [MetalmorWoodenBlocks](https://www.instagram.com/MetalmorWoodenBlocks)